

# DHC6WS TEMPERATURE CONTROLLER WITH ALARM

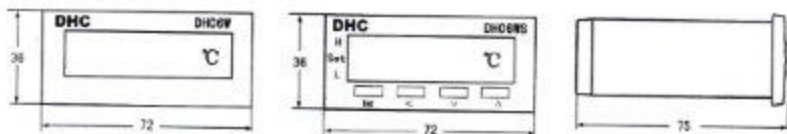
## Description

- DHC6W display the temperature only.
- Digital setting and indication functions provided.
- Independed alarm outputs for upper and lower limits provided.
- The error of sensor corrected by digital setting.
- DIN-sized(36x72mm)Solid-state temperature display

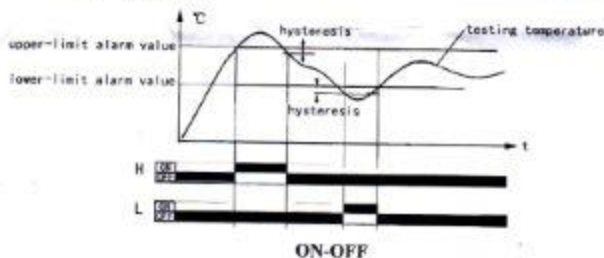
## Specification

- |                              |   |                          |                        |
|------------------------------|---|--------------------------|------------------------|
| ● Supply voltage:            | AC/DC100~240V   | ● Alarm output:          | AC 250V 3A (Resistive) |
| ● Indication accuracy:       | PT: 0.5% FS±1Digit<br>K/J: 1% FS±1Digit                               | ● Contact:               | 1C*2                   |
| ● Standard scale range:      | PT100 PT 0~99.9℃<br>PT400 PT 0~399℃<br>K400 K 0~399℃<br>J400 J 0~399℃ | ● Display:               | 0.56 inch LED          |
| ● ON/OFF control hysteresis: | 1~5.0℃ digital display (PT100)<br>1~50℃ digital display (PT400/K/J)   | ● Panel cutout:          | 33×68.5 mm             |
| ● Offset setting:            | 0~1.9℃ digital display (PT100)<br>0~19℃ digital display (PT400/K/J)   | ● Power consumption:     | ≤3VA                   |
|                              |   | ● Weight:                | about 0.15kg           |
|                              |   | ● Operating temperature: | 0℃~+40℃                |

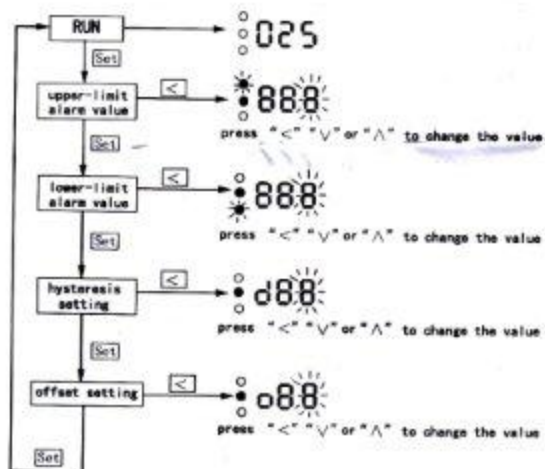
## Dimensions



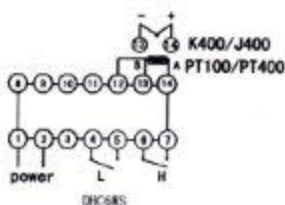
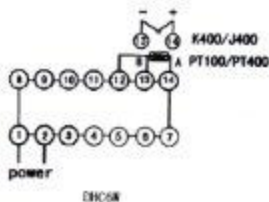
## Control Modes



## Operation And Display



## Connections



## Note

1. If temperature sensor input is break off ,it will display "HHHH".
2. After power application, several minutes are required as a warm-up time before the input temperature value is correctly displayed.